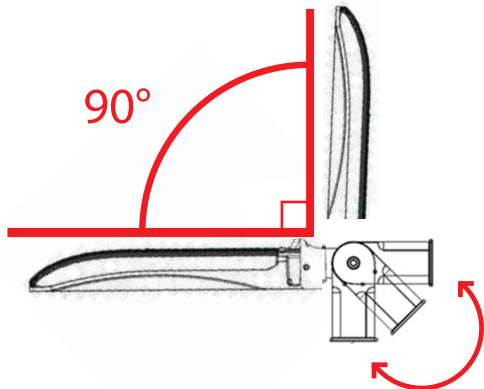
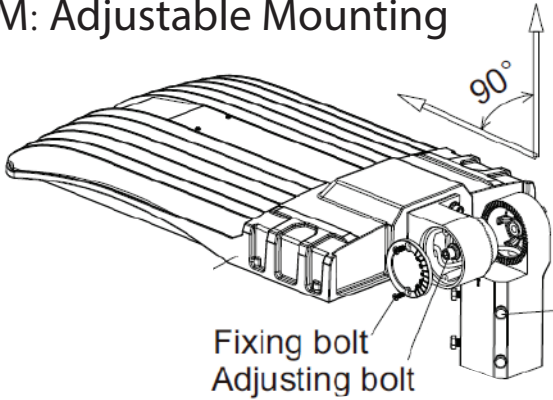


How to Use the Tenon for Multiple Parking Lot Light in One Pole

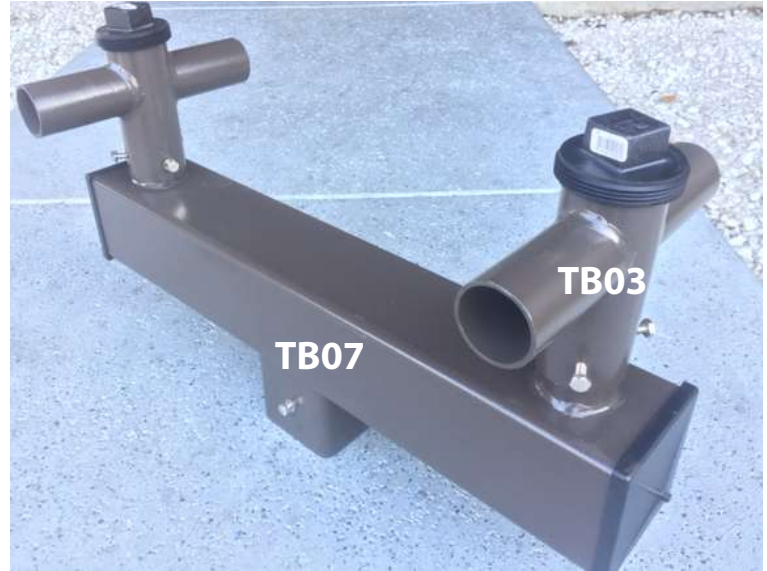


Parking Lot Light with AM Bracket
AM: Adjustable Mounting



AM bracket can adjust 90°

4 Parking Lot Light in One Pole 1 x TB07 + 2 x TB03



3 Parking Lot Light in One Pole 1 x TB07 + 1 x TB03



2 Parking Lot Light in One Pole 1 x TB03 + 1 x TB02



1 Parking Lot Light in One Pole 1 x TB02

