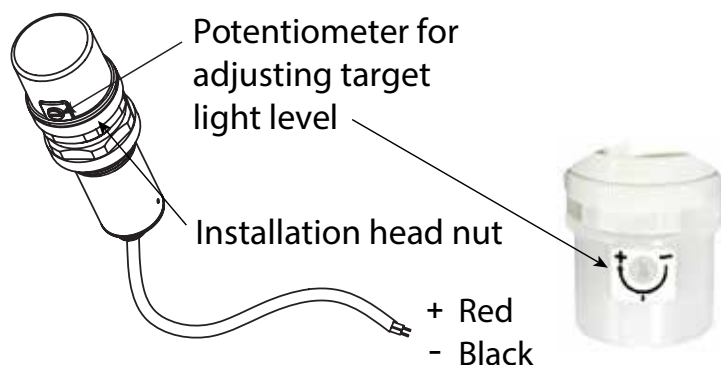


## Lighting Control Switch

## Daylight Auto Dimmer Sensor



PIC: KA-11



www.kinaled.com

### Features

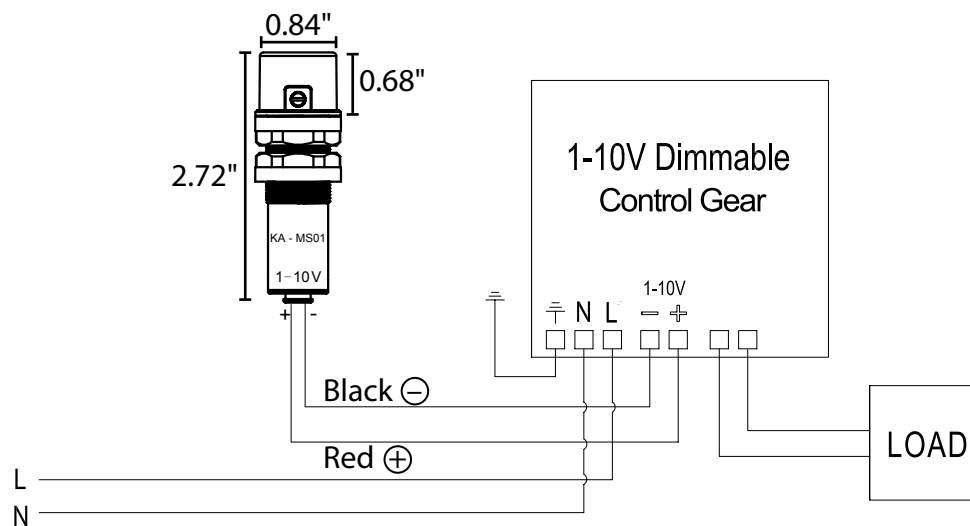
- Provides energy saving without sacrificing visual comfort
- With ambient light dependent control
- Directly connected to 1 ~ 10V interface
- Simple setting of target light level by means of potentiometer

Model	KA-MS01
Input voltage	1 ~ 10V DC
Max current sink	50mA (Maximum Rating)
Dimming range	1% ~ 100%
Color coding of cable	Red +, Black -
Cable length	31.5inches / 80cm
Detection angle	90°
Size	0.84 x 2.27 inches / 21.47 x 69.3 mm (çxH)
Operating temp.	32°F ~ 122°F / 0°C ~ +50°C
IP rating	IP20
Type of installation	Recessed Mounting

### General Guidelines for Installation

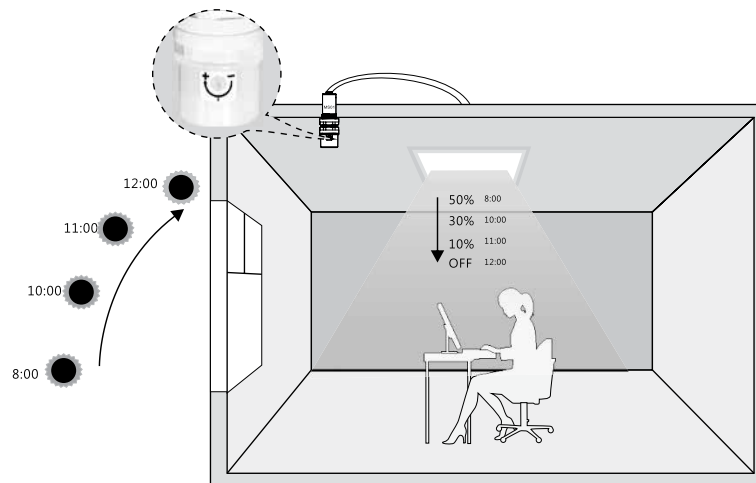
1. Risk of Shock. Turn off the power/breaker before installation. Do not connect wiring to power.
2. Any modifications to this sensor will immediately void the warranty.
3. Sensor connects to 1 ~ 10V interface.

### Wiring and Lux Level Adjusting



### Settings

For best results, target light level should be 40% ~ 80% of total lux of luminaries.



Made in China

Copyright © 2016. All Rights Reserved.

PIC: KA-11  
R201609-V15